

## OILES Lutech E / Lutech E-02 Electro conductive Polyacetal bearing



### Features

- An electro conductive and self lubricating Polyacetal bearing filled with additives
- Shows superior frictional characteristics under low load and high velocity conditions
- Provides low frictional coefficient and excellent wear resistance
- Available in a large variety of shapes through injection molding

### Specifications

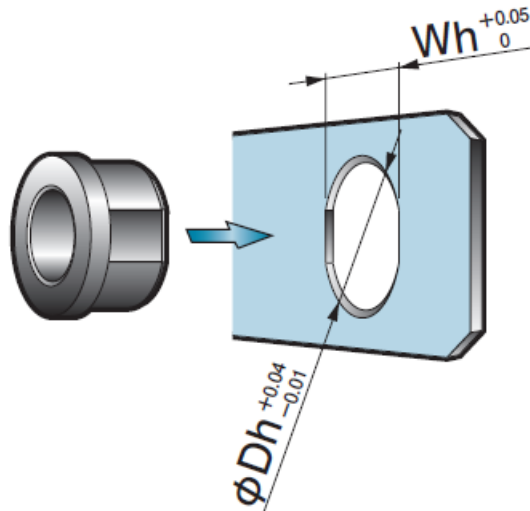
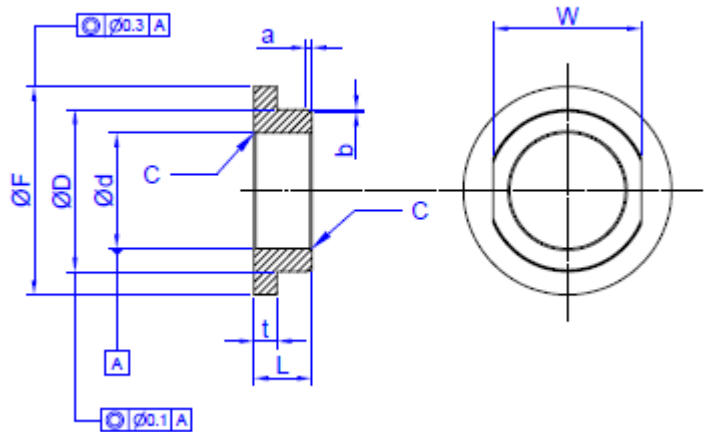
Lubrication condition	Dry
Service temperature range	-40 to 80°C
Allowable maximum contact pressure P	9.81 N/mm <sup>2</sup>
Allowable maximum sliding velocity V	0.83 m/sec
Allowable maximum PV value	0.327 N/mm <sup>2</sup> ·m/sec

### Mechanical properties

			Lutech E	Lutech E-02
Specific gravity	ASTM D 892	-----	1.44	1.38
Tensile strength	ASTM D 638	N/mm <sup>2</sup>	50.2	42.9
Tensile elongation at break	ASTM D 638	%	5.3	23
Flexural strength	ASTM D 790	N/mm <sup>2</sup>	76.8	71.9
Flexural modulus	ASTM D 790	N/mm <sup>2</sup>	2780	2595
Compressive strength (1% deformation)	ASTM D 695	N/mm <sup>2</sup>	23.3	-----
Compressive strength (10% deformation)	ASTM D 695	N/mm <sup>2</sup>	98.2	-----
Hardness	ASTM D 785	-----	HRM80	HRM90
Izod impact strength (with notch)	ASTM D 256	J/m	16.4	31
Co-efficient of thermal linear expansion	ASTM D 696	× 10 <sup>-5</sup> °C <sup>-1</sup>	8 to 13	8 to 13
Melting point	DSC	°C	165	-----
Volume resistance	-----	Ω m	0.504	0.308
Surface resistance	-----	Ω	5.31 × 10 <sup>2</sup>	2.21 × 10 <sup>2</sup>
UL incombustibility	UL94	-----	HB	-----

Note: Values here are nominal

## OILES Lutech E flange bushing (LED) Standard size

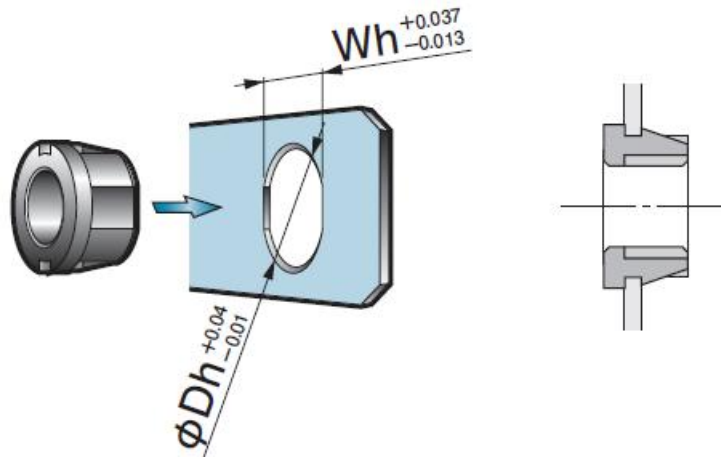
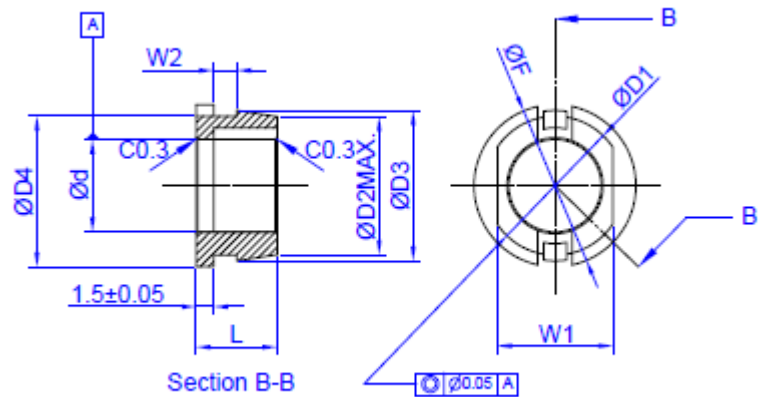
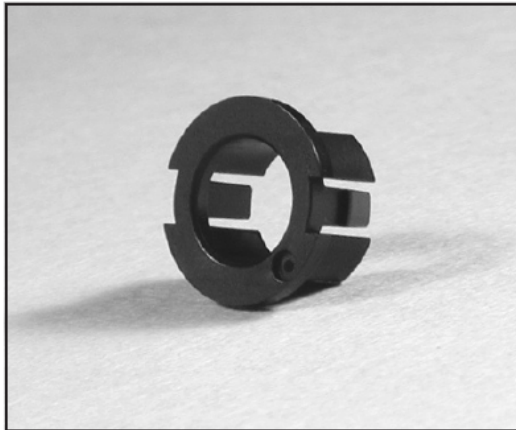


Installing for housing

### (Ordering method) Parts No: LED-0606

	Inner diameter $\phi d$	Outer diameter $\phi D$	W	a	b	c	Flange		Length L
							$\phi F$	Thickness	
LED-0404	4 $+0.05$ 0	8 $+0.107$ $+0.032$	5.8 0 -0.1	1	0.3	C0.3	10	1.0 ±0.1	4 ±0.2
LED-0605	6 ↑	9 ↑	7.8 ↑	↑	↑	↑	14	2.0 ↑	5 ±0.2
LED-0635	↑ ↑	10 ↑	8.8 ↑	0.5	0.2	↑	12	1.5 ↑	3.5 ±0.2
LED-0606	↑ ↑	↑ ↑	↑ ↑	1	0.3	↑	↑	↑ ↑	6 ±0.2
LED-0895	8 ↑	11 ↑	9.8 ↑	↑	↑	↑	13	↑ ↑	9.5 ±0.2
LED-0807	↑ ↑	12 ↑	10.8 ↑	↑	↑	↑	16	2.0 ↑	7 ±0.2
LED-1005	10 ↑	14 ↑	12.8 ↑	↑	↑	↑	18	2.0 ↑	5 ±0.2

**OILES Lutech E-02 snap fit bushing (LED) Standard size**



Installing for housing

**(Ordering method) Parts No: LES-0616**

	Inner diameter		Outer diameter				Flange $\phi F$	Length L	W1	W2					
	$\phi d$		$\phi D1$	$\phi D2 Max$	$\phi D3$	$\phi D4$									
LES-0608	6	$+0.05$ 0	10	$-0.01$ $-0.06$	9.9	11	$+0.1$ 0	10	12	6	$\pm 0.2$	9	$-0.013$ $-0.049$	0.8	$+0.2$ $+0.1$
LES-0612	↑	↑	↑	↑	↑	↑	↑	↑	↑	↑	↑	↑	↑	1.2	↑
LES-0616	↑	↑	↑	↑	↑	↑	↑	↑	↑	↑	↑	↑	↑	1.6	↑
LES-0808	8	↑	12	↑	11.9	13	↑	12	14	7	↑	10	↑	0.8	↑
LES-0816	↑	↑	↑	↑	↑	↑	↑	↑	↑	↑	↑	↑	↑	1.6	↑
LES-0816	↑	↑	↑	↑	↑	↑	↑	↑	↑	↑	↑	↑	↑	2	↑